

ROPE NET

Rockfall prevention system
that protects the environment

TOKYO ROPE MFG. CO., LTD.

TOKYO ROPE MFG. CO., LTD.

NIHONBASHI FRONT BLDG. 6-2 NIHONBASHI 3-CHOME CHUO-KU TOKYO 103-8306 JAPAN
Tel.: + 81 3 6366 7788, Fax: +81 3 3278 6870

The Representative office of Tokyo Rope MFG. CO.,LTD. in Moscow

22, Bolshaya Yakimanka str., Moscow, 119180, Russia
Tel.: + 7 495 645 04 03, Fax: +7 495 645 04 09

The Representative office of Tokyo Rope MFG. CO.,LTD. in Kazakhstan

Office No. VP-62,7th floor,Business center "Na Vodno-Zelyonom Bulvare",
BLDG No. 12/1, D. Kunayev Street,Astana city, 010000, Republic of Kazakhstan
Tel.: + 7 7172 500 759, Fax:+ 7 7172 500 780

INTERNATIONAL INVESTORS Co. Ltd

Official Agent of Tokyo Rope MFG., CO. LTD in Kingdom of Saudi Arabia
Office 7 Dinaar Commercial Center, King Abdulaziz Road
PO Box 104451, Jeddah 21331, Saudi Arabia
Tel.: +966 12 236 5511, Fax:+ +966 12 236 5522

<http://www.tokyorope.co.jp/english>

Rope Net prevents rockfalls and preserves the landscape.

Rope Net advantages

Minimal removal of trees during installation works

The net is made of separate ropes that go around the trees, so that removal of trees is not required.

Fixes stones at slopes

Flexible and durable wire rope firmly covers the slope and attaches large stones to it, preventing the falling of non-attached stones on a slope and providing a slope stabilization.

Ease of assembling

Materials and equipment used for Rope Net have a light weight, so that assembling causes no difficulties.

Possibility of use with steel net

At areas with the fall of soil ground and stones through the net with 50cm x 50cm meshes, Rope Net can be used along with a net that can hold small stones.



Examples of completed projects using Rope Net

Rope Net that helps eliminate the rockfalls, also protects environment. If you use Rope Net with a net or other systems that prevent rockfalls not only relatively large rocks, but also of small stones.



Examples of completed projects using Rope Net



In the process of assembling Rope Net direction and intervals between wire ropes that form the net are defined according to the tree location. Thereby tree removal is not required.

Rope Net firmly holds large non-attached stones, in areas with the fall of small and large stones. Galleys of large stones, a net attached to the Rope Net can be used.







Cement anchor

The main component of a system that prevents the rockfalls is an anchor. The cement capsule, used for its installation, is manufactured under strict quality control. Thereby cement anchor will be securely attached.



Rope Net type

Unit of measure: mm

Type	Main rope			Strengthened rope			Anchor	
	Construction Diameter	Vertical interval (b)	Horizontal interval (h)	Construction Diameter	Vertical interval	Horizontal interval	Rock	Soil
2 x 2 – 0.5 x 12 (standard type)	3 x 7 φ12	2 (m)	2 (m)	3 x 7 φ12	0.5 (m)	0.5 (m)	Cement anchor Ⓐ, Ⓑ D22(M20) x 1000	Pipe anchor Ⓐ, Ⓑ φ114.3 x 4.5 -1630

Notice 1: Ⓐ type anchors are set at the net boundary
Ⓑ type anchors are set inside the net

Construction components

Unit of measure: mm

Type	Ropegrip		Cross-shaped grip	Cross-shaped anchor grip	Cross clip
	Main rope	Strengthened rope			
2 x 2 – 0.5 x 12 (standard type)	For φ12 - 800 (Cement anchor Ⓐ)	For φ12 - 800	50 x 95	50 x 95	3.2 x 60 x 60
	For φ12 - 975 (Pipe anchor Ⓐ)				

Anchor installation

Type	installation procedure	Equipments	Notes
Cement anchor Ⓐ, Ⓑ for rocks	Plunge a cement capsule into water for 5 minutes until air bubbles stop escaping. Place the cement capsule into a 900 mm hole, made by 40-44 diameter drill. Place an anchor in the hole.	Compressor Bit Rock-drill	Cement capsule (standard type) - φ36 x 600 - 2 pieces (per 1 anchor) - at least 24 hours until full hardening of the construction
Pipe anchor Ⓐ, Ⓑ for soil	With the help of puncher place pipe anchor into a 1.5 meter hole.	Compressor Puncher	

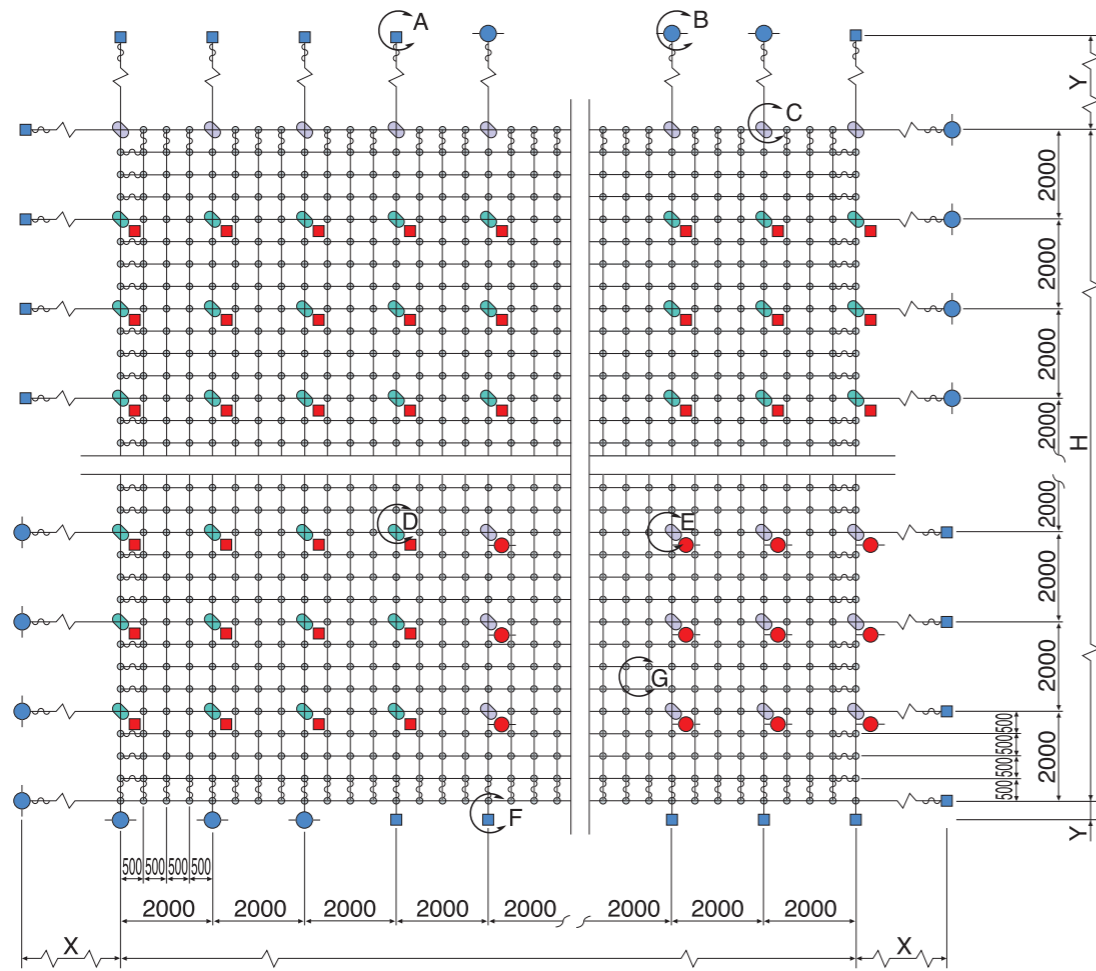
Rope Net strength

In case of difficulties, that happen during the installation, you can consult Tokyo Rope experts.

Type	Load of falling rocks		Slope ratio (1:X)							
	kN/m ²	kN*	1.0	0.9	0.8	0.7	0.6	0.5	0.4	0.3
2 x 2 – 0.5 x 12	12.50	50	■							
	11.25	45	■	■						
	10.00	40	■	■	■					
	8.75	35	■	■	■	■				
	7.50	30	■	■	■	■	■			
	6.25	25	■	■	■	■	■	■		
5.00	20	■	■	■	■	■	■	■	■	

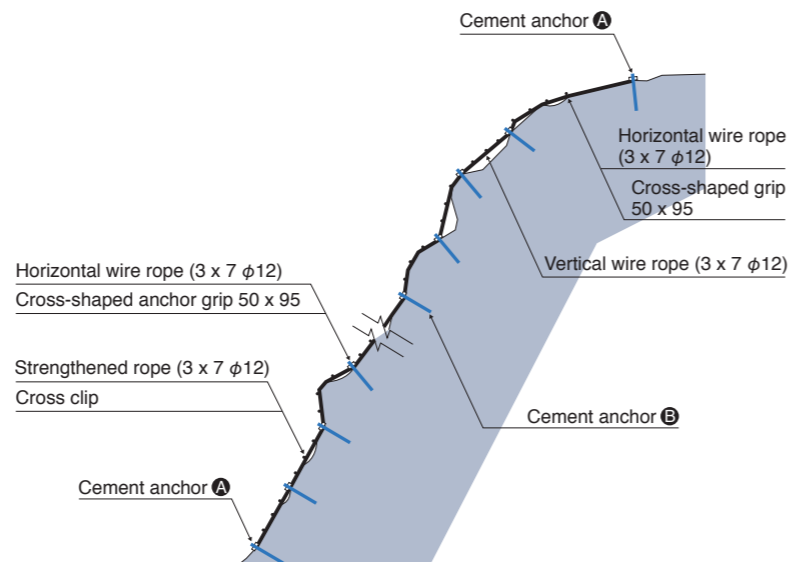
*Load, applied to a mesh area, generated by the wire ropes (b·h)

Rope Net standard design
2 x 2 – 0.5 x 12

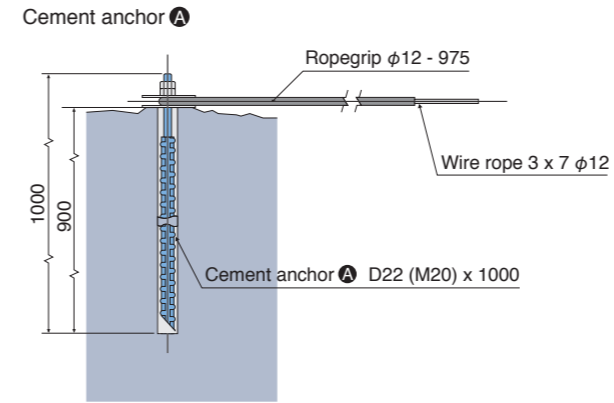


Detailed description of Rope Net components

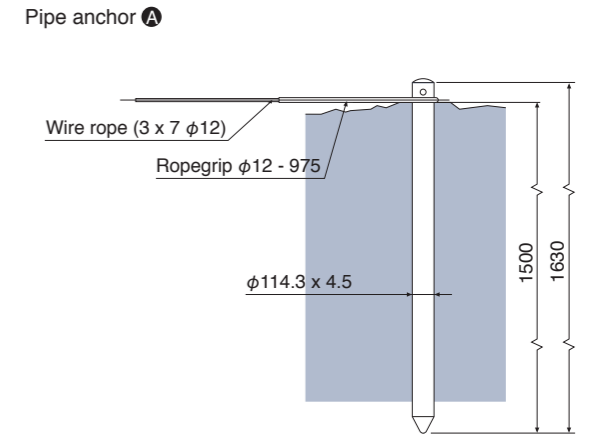
Component name	Graphical symbol	
Vertical wire rope	—	
Horizontal wire rope	—	
Strengthened vertical rope	—	
Strengthened horizontal rope	—	
Ropegrip (for cement anchor A)	~	
Ropegrip (for pipe anchor)	~	
Ropegrip (for strengthened wire rope)	~	
Anchor	Cement anchor A (for rocks)	■
	Cement anchor B (for rocks)	■
	Pipe anchor A (for soil)	●
	Pipe anchor B (for soil)	●
Cross-shaped grip	⊕	
Cross-shaped anchor grip	⊕	
Cross clip	⊕	



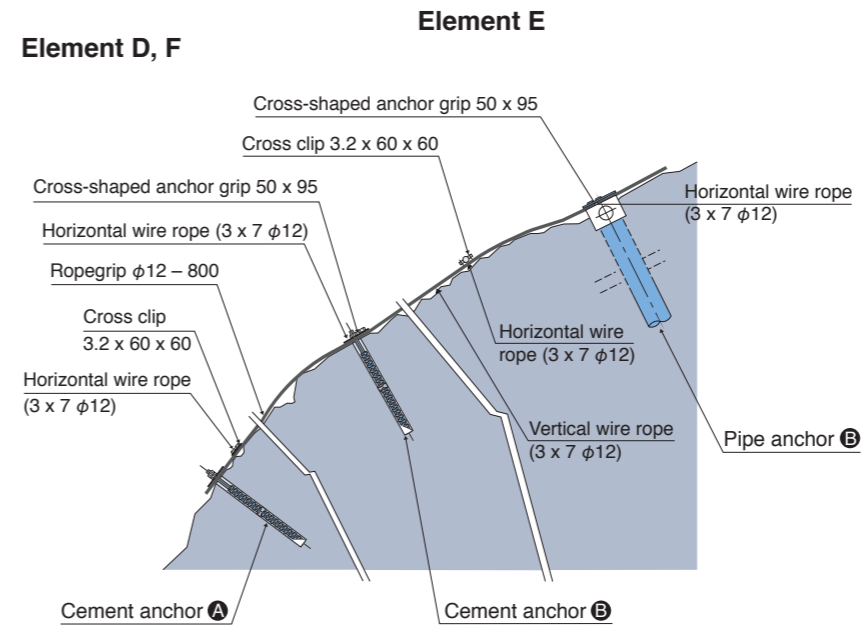
Element A



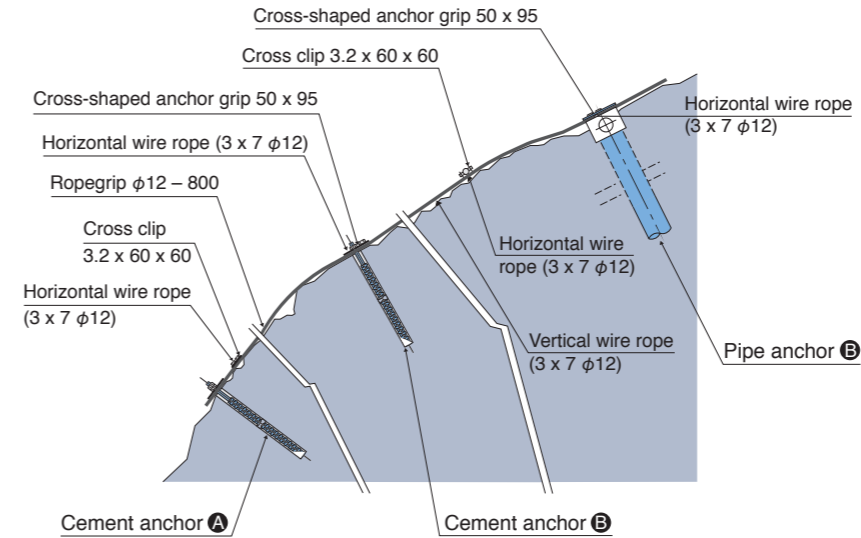
Element B



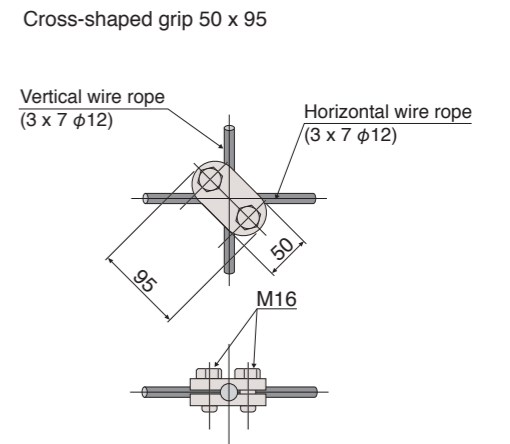
Element D, F



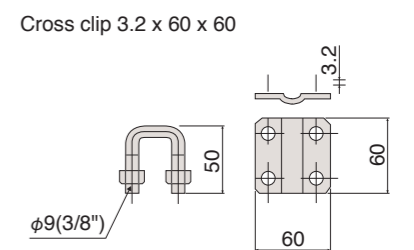
Element E



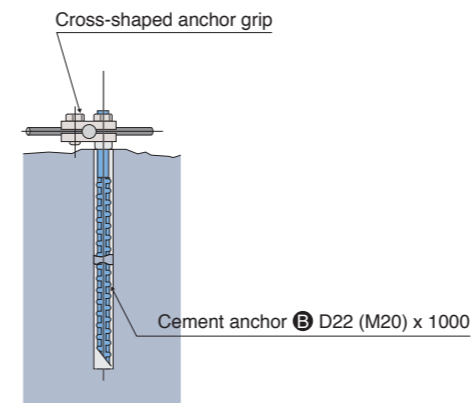
Element C



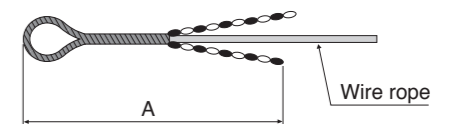
Element G



Element D



Ropegrip



Type	Wire rope diameter	A
For cement anchor A	phi 12	800
For pipe anchor A	phi 12	975
For strengthened wire rope	phi 12	800